

Features :

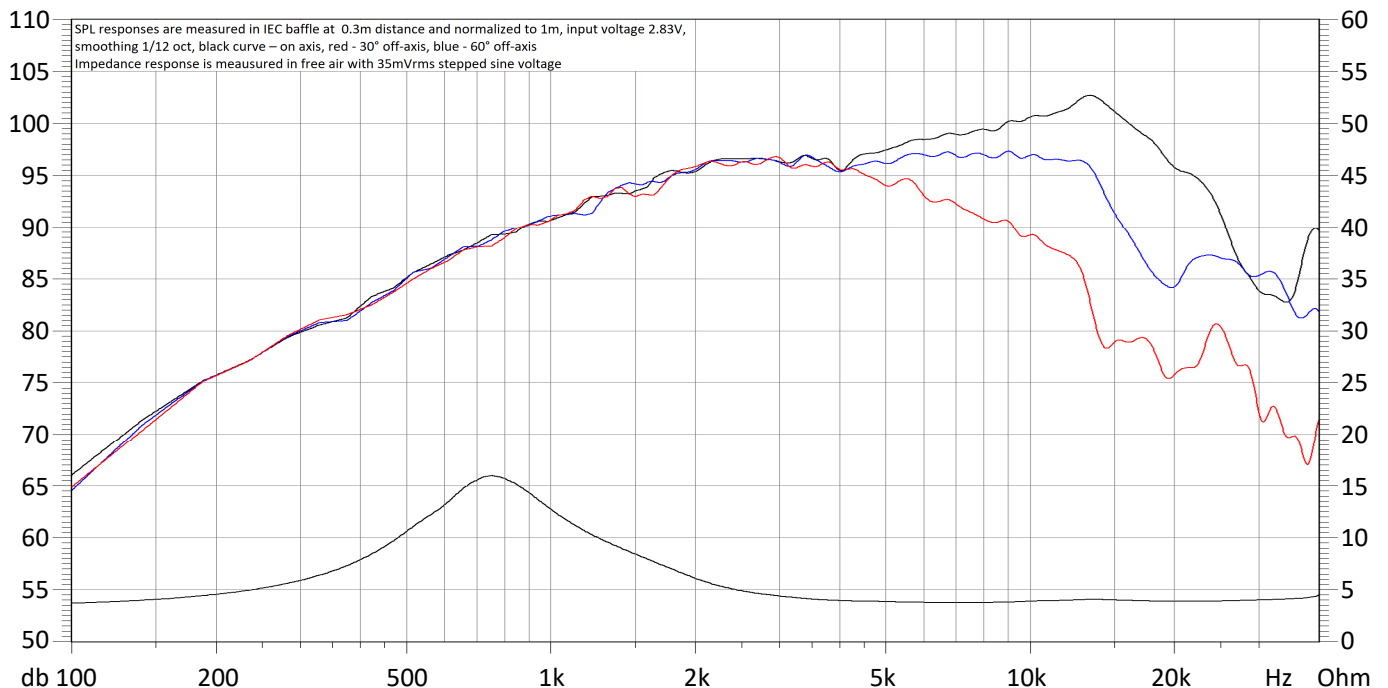
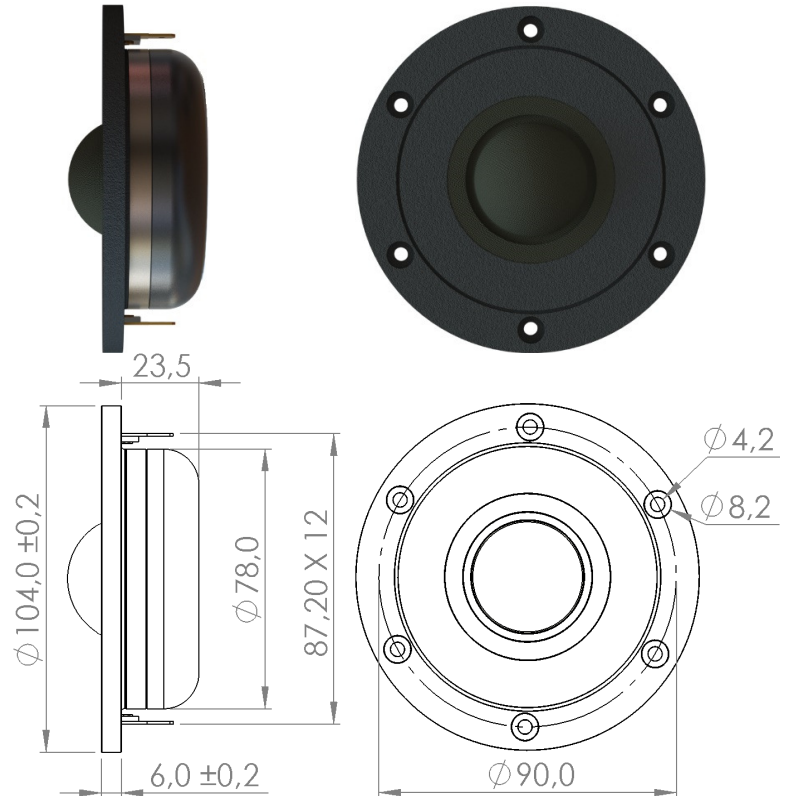
- 34mm natural silk soft dome for better sound quality
- Extremely low moving mass for better transient response and higher efficiency
- Fully saturated neodymium motor with copper sleeve for low non linear and modulation distortion
- 3mm linear excursion and large vent channel for undistorted low frequency operation
- Underhung voice coil wound on titanium former
- Flush mounted surround and rear mounted magnet system for flat frequency response and wide off-axis response
- No ferrofluid for improved dynamics
- Flexible and lightweight lead wires made in Denmark
- Thick aluminium powder coated flange
- Aluminium rear chamber with natural wool damping
- Gold plated wire terminals
- Recommended frequency range 1.3kHz-22kHz

Specifications :

Nominal impedance	4 Ω
Rated power handling*	80 W
Sensitivity 2.83V/1m	97 dB
Net weight	0.68 kg
Effective piston area, Sd	10.5 cm ²
Moving mass, Mms	0.27 g
Force factor, Bl	3.5 T*m
Resonance frequency, Fs	760 Hz
Mechanical Q factor, Qms	1.3
Electrical Q factor, Qes	0.34
Total Q factor, Qts	0.27
Magnetic flux density	2.2 T
Air gap height	4.5 mm
Linear excursion (p-p)	3 mm
Voice coil diameter	34 mm
Voice coil height	1.4 mm
Voice coil layers	2
Voice coil inductance, Le	0.008 mH
DC resistance, Re	3.3 Ω
Wire material	CCAW

* IEC 268-5, 2nd order high-pass Butterworth filter, 2.5 kHz

Specifications are subject to change without prior notice



Application with notch filter

Frequency response with and without notch filter

